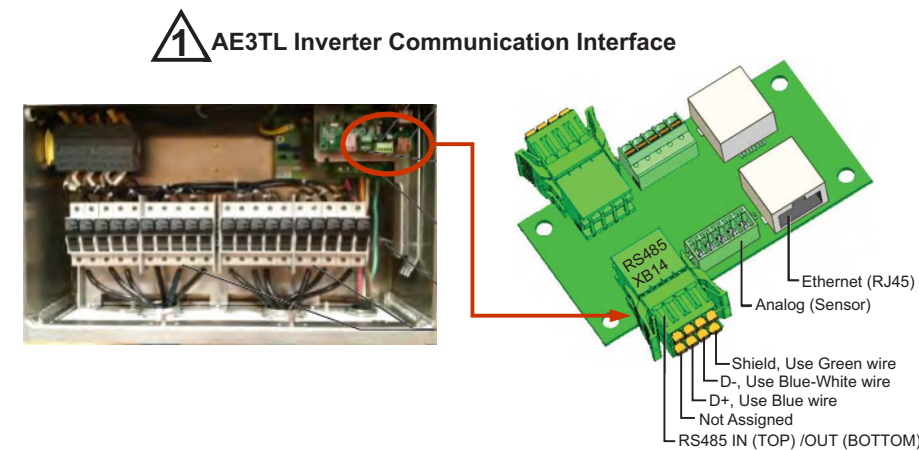
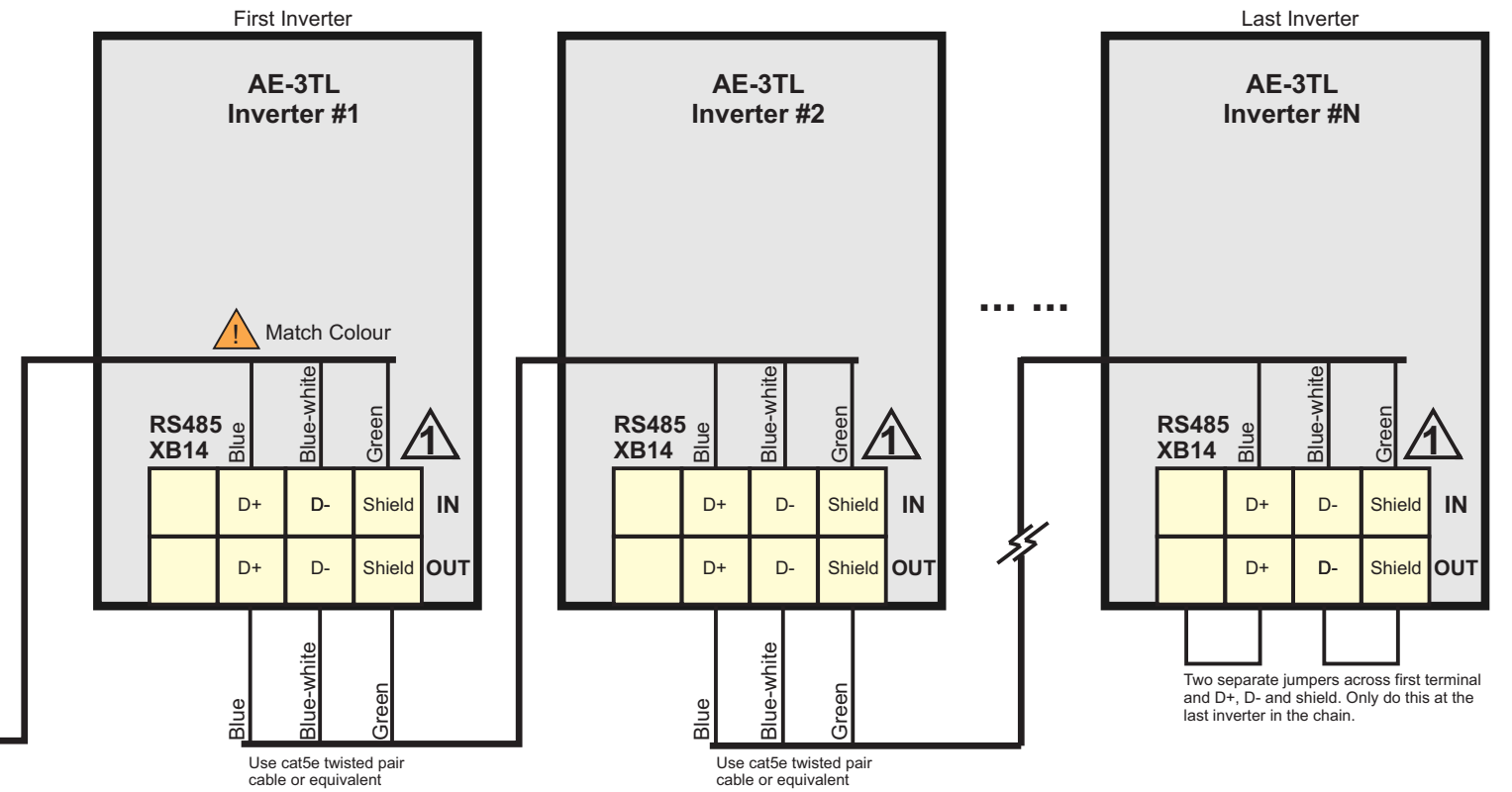
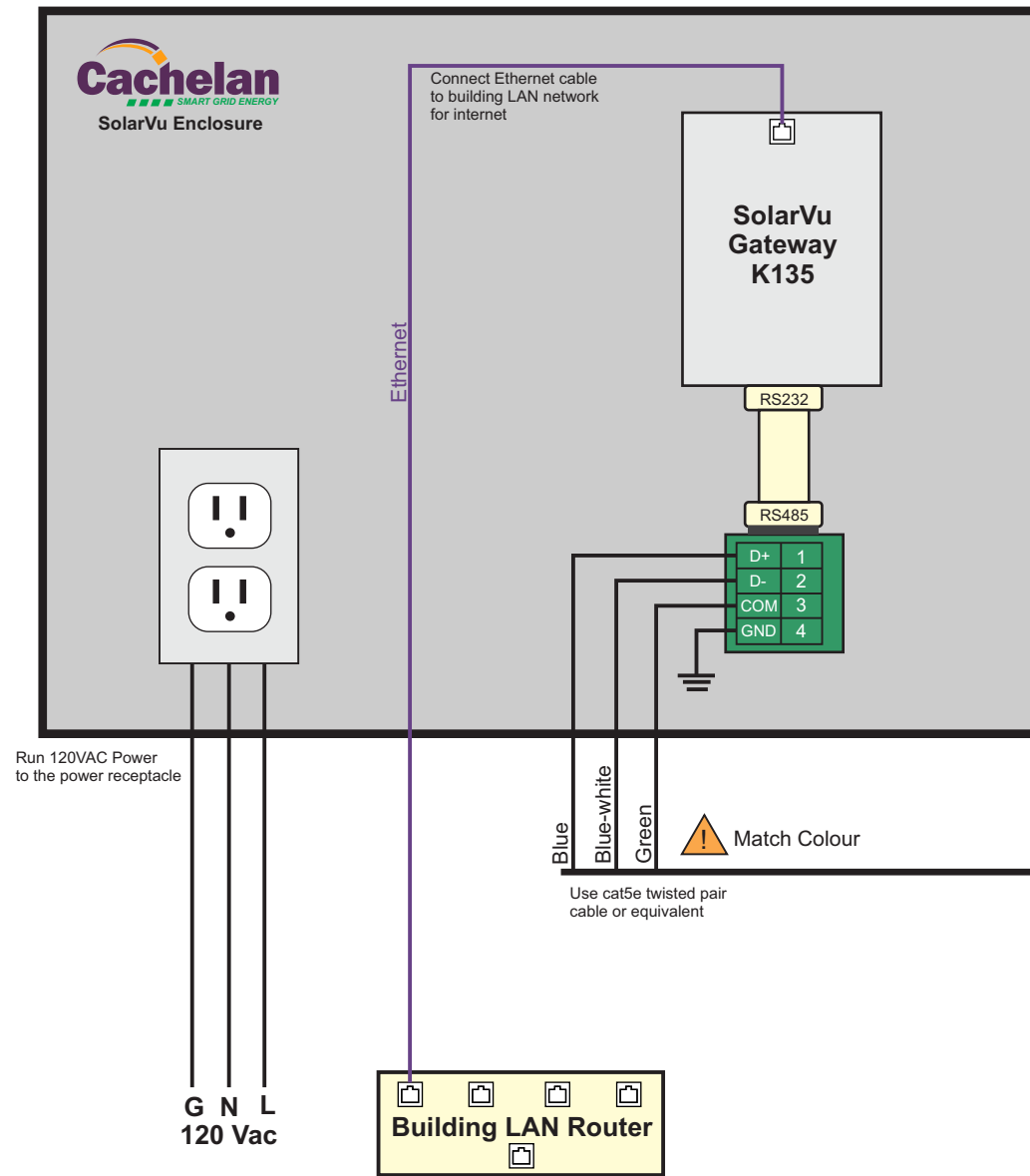
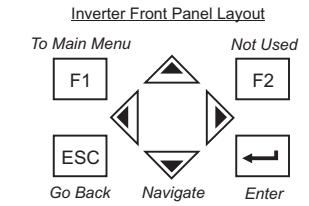


Step-by Step Inverter Configuration

Each Inverter on the daisy-chain will need to be configured to communicate to SolarVu. The RS485 of each inverter will need to be set to a unique **USS address (0-31)**, **Protocol** set to 1 and **Baud Rate** set to 115200. Power cycling the inverters is required to save changes. See below for a step-by-step of how to make these setting changes.

1. Power on the inverter. Wait for the inverter to be Status Ready.
2. Press 'F1' to open the menu.
3. Navigate to "Configuration". Press 'Enter'.
4. Navigate to "Password". Press 'Enter'.
5. Use the 'ARROW' keys to enter [7 2 5 5]. Press 'Enter'.
6. Navigate to "Communication". Press 'Enter'.
7. Navigate to "RS485". Press 'Enter'.
8. Navigate to "USS address". Press 'Enter'.
9. Use the 'ARROW' keys to enter address [0-31]. Press 'Enter'.
Note: Each inverter on the RS485 chain must have a unique USS address; ranging from 0-31. See Cachelan drawing CQ238 for detailed USS address assignment.
10. Navigate to "Protocol". Press 'Enter'.
Note: Pressing the 'RETURN' key in the "Protocol" menu will reset "baud rate".
11. Use the 'ARROW' keys to enter [1] (1 is USS Protocol). Press 'Enter'.
12. Navigate to "Baud Rate". Press 'Enter'.
13. Use the 'ARROW' keys to select [1 1 5 2 0 0]. Press 'Enter'.
14. Power cycle the inverter to save the changes.
15. Now the inverter will be automatically detected by A8810 AcquiSuite in 5 to 15 mins and data will be sent to SolarVu by then.



Cachelan 3575 14th Avenue #7
Markham, ON Canada L3R 0H6
cachelan.com 905.470.8400

SolarVu® K135 to AE3TL Inverter Communication Wiring

REVISED	ENG / DRAW	ISSUED
Rev A01 Jan 12, 2015	NW / TH	Jan 12, 2015

CQ716A1 SolarVu K135 to AE3TL Communication Wiring

716